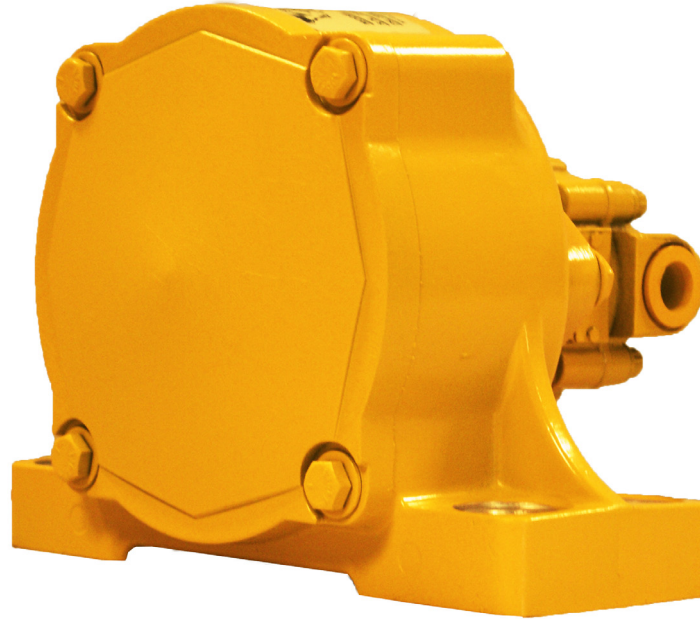
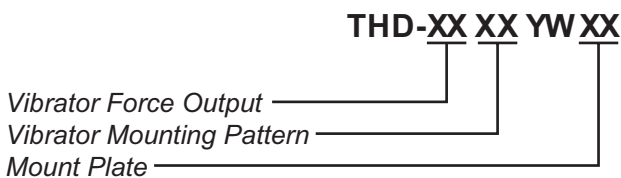


# Cougar® THD Vibrators



## NOMENCLATURE



### VIBRATOR FORCE OUTPUT

- 25:** 2500 lbs
- 16:** 1600 lbs

### VIBRATOR MOUNTING PATTERN

- 4M:** Qty 4, 5/8 Bolts, 2.00" x 8.00" Rectangular Pattern
- 2V:** Qty 2, 3/4 Bolts, 8.50" Between Center, In-Line Pattern

### MOUNT PLATE

- MO:** Without Mount Plate
- MS:** Steel Mount Plate
- MA:** Aluminum Mount Plate

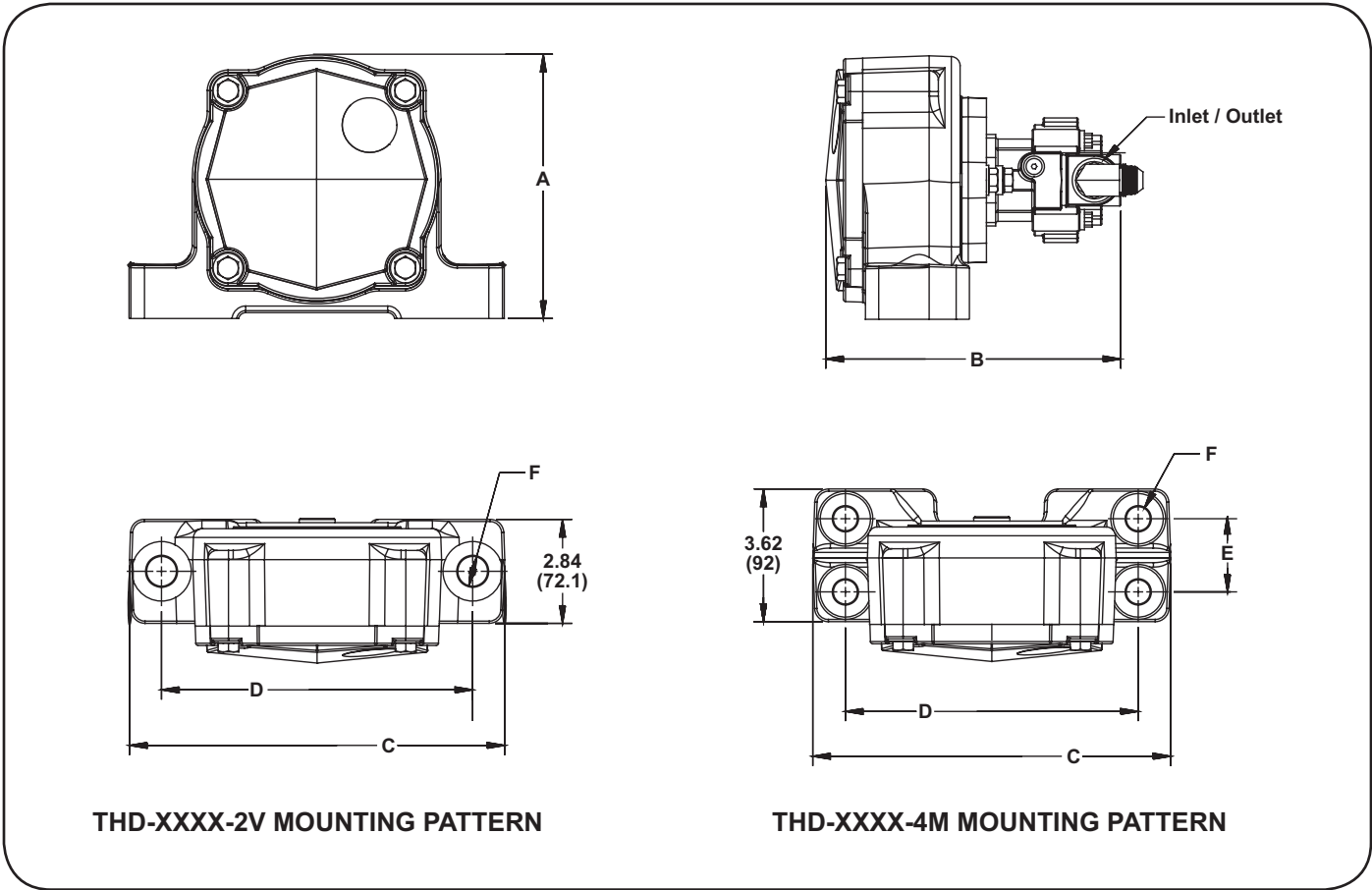
## FEATURES

- Built from high-strength aluminum for maximum durability.
- Efficient motor designed for minimal power consumption.
- Low Maintenance
- Designed to create more force per size/weight.
- Variable Speed
- Continuous Duty

### Specify Cougar for:

- Cost effective solutions
- Expert technical assistance
- Complete service and support

# TECHNICAL DATA SHEET



**THD-XXXX-2V MOUNTING PATTERN**

**THD-XXXX-4M MOUNTING PATTERN**

Model	P/N	A	B	C	Mounting		Bolt Size	Inlet	Outlet	Weight lbs
					D	E	F			
THD-1600	THD-16-4M-YW-MO	7.2	8.06	10.25	8	2	5/8	SAE 8	SAE 8	25
THD-1600	THD-16-2V-YW-MO	7.2	8.06	10.25	8.50	—	3/4	SAE 8	SAE 8	25
THD-2500	THD-25-4M-YW-MO	7.2	8.06	10.25	8	2	5/8	SAE 8	SAE 8	25
THD-2500	THD-25-2V-YW-MO	7.2	8.06	10.25	8.50	—	3/4	SAE 8	SAE 8	25

Model	In/lbs	VPM	Force	GPM	VPM	Force	GPM	VPM	Force	Max GPM	Max Pressure
THD-1600	3.125	1000	89	.944	2500	555	2.359	4000	1420	3.775	2000 PSI
THD-2500	6.051	1000	172	.944	2500	1074	2.359	4000	2750	3.775	2000 PSI

Data from vibrator mounted to a 10,000 lb test block. Frequency and force will decrease on a less rigid mount.

Distributed By:



ChicagoVibratorProducts  
*Flow and Compaction*  
 Division of CVP Group  
 800-842-7284 (P)  
 866-247-7538 (F)  
 Solutions@ChiVib.com  
 www.ChicagoVibrator.com

**COMPANY WITH  
 QUALITY SYSTEM  
 CERTIFIED BY DNV  
 = ISO 9001:2008 =**